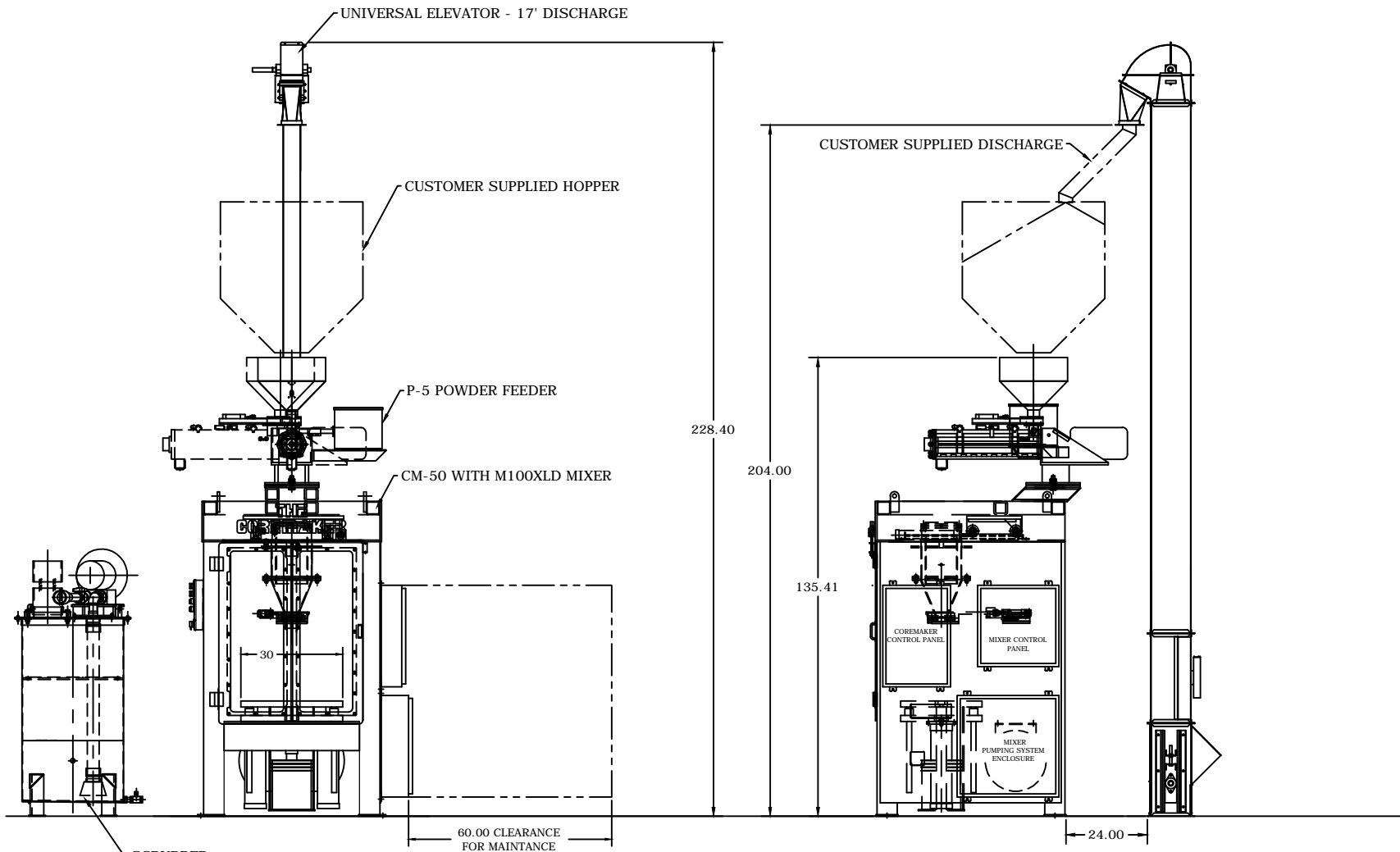


CUSTOMER APPROVAL
 SIGNATURE: _____
 DATE: _____

CONFIDENTIAL		PALMER		18 BECHTLE AVENUE SPRINGFIELD, OHIO 45504 U.S.A. (937) 323-6339 OR 1-800-457-5456	
THIS DOCUMENT, INCLUDING ALL INFORMATION HEREIN, IS THE EXCLUSIVE AND CONFIDENTIAL PROPERTY OF PALMER MANUFACTURING. THEREFORE THIS DOCUMENT IS NOT TO BE COPIED, REPRODUCED, OR DELIVERED TO OTHERS WITHOUT THE EXPRESS WRITTEN PERMISSION OF PALMER.		MANUFACTURING & SUPPLY, INC.		SCALE: NONE	
		APPROVED BY: _____		DRAWN BY: RITENOUR	
		DATE: 08/23/2013		TITLE: CM-100 COREMAKER	
		PREVIOUS DWG. #: N/A		DWG. #: CM10234	
		NOTE: CM-100 w/ M200 MIXER DUAL SAND HOPPER		REV: -	
				PG. #: 1 OF 1	

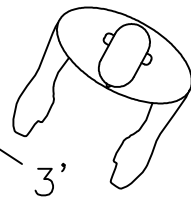
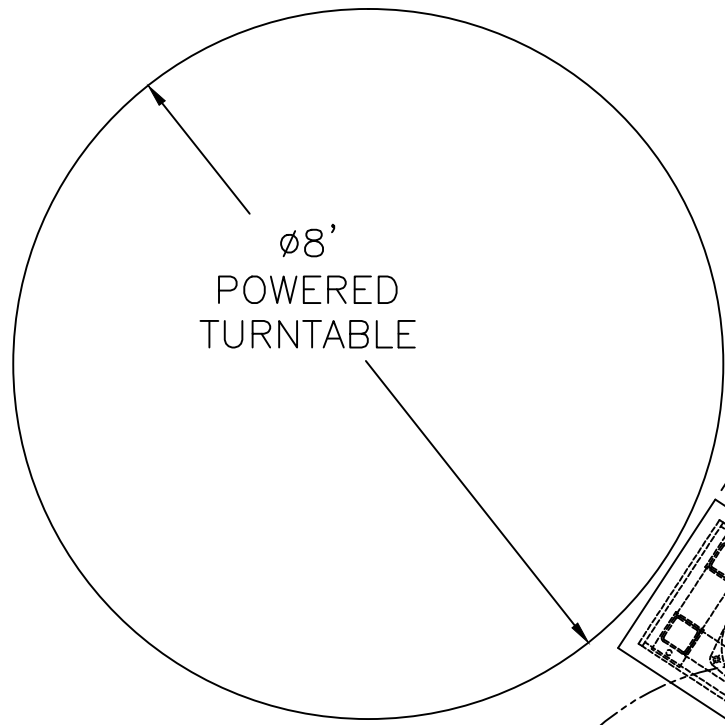


CUSTOMER APPROVAL

SIGNATURE: _____

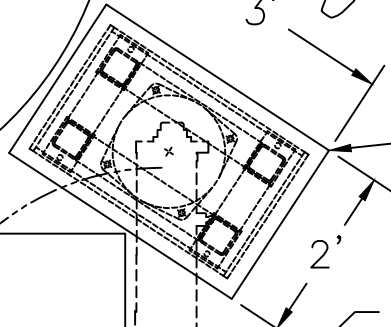
DATE: _____

CONFIDENTIAL		PALMER		18 BECHTLE AVENUE SPRINGFIELD, OHIO 45504 U.S.A. (937) 323-6339 OR 1-800-457-5456
THIS DOCUMENT, INCLUDING ALL INFORMATION HEREIN, IS THE EXCLUSIVE AND CONFIDENTIAL PROPERTY OF PALMER MANUFACTURING. THEREFORE THIS DOCUMENT IS NOT TO BE COPIED, REPRODUCED, OR DELIVERED TO OTHERS WITHOUT THE EXPRESS WRITTEN PERMISSION OF PALMER.		MANUFACTURING & SUPPLY, INC.		
SCALE: NONE	APPROVED BY: _____	DRAWN BY: SLW		
DATE: 9/7/07	TITLE: EQUIPMENT LAYOUT			
PREVIOUS DWG. #: N/A	DWG. #: L10258	REV: -	PG. #: 1 OF 1	
NOTE: CM50 WITH M100XLD MIXER AND P-5, 17' DISCHARGE ON UNIVERSAL ELEVATOR				



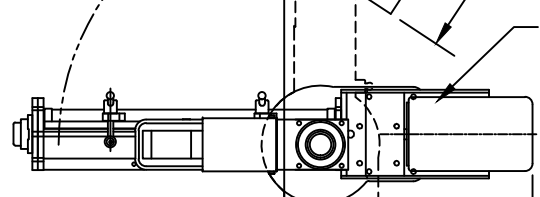
OPERATOR
STATION

3'

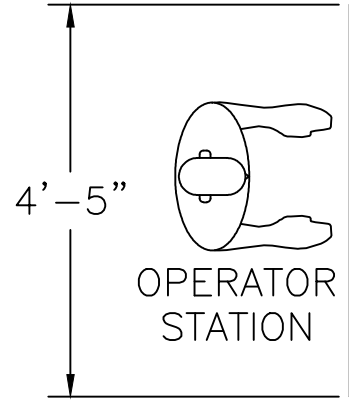


V1500-I-F
COMPACTION
TABLE

2'



CM-50
COREMAKER
w/ M200 MIXER



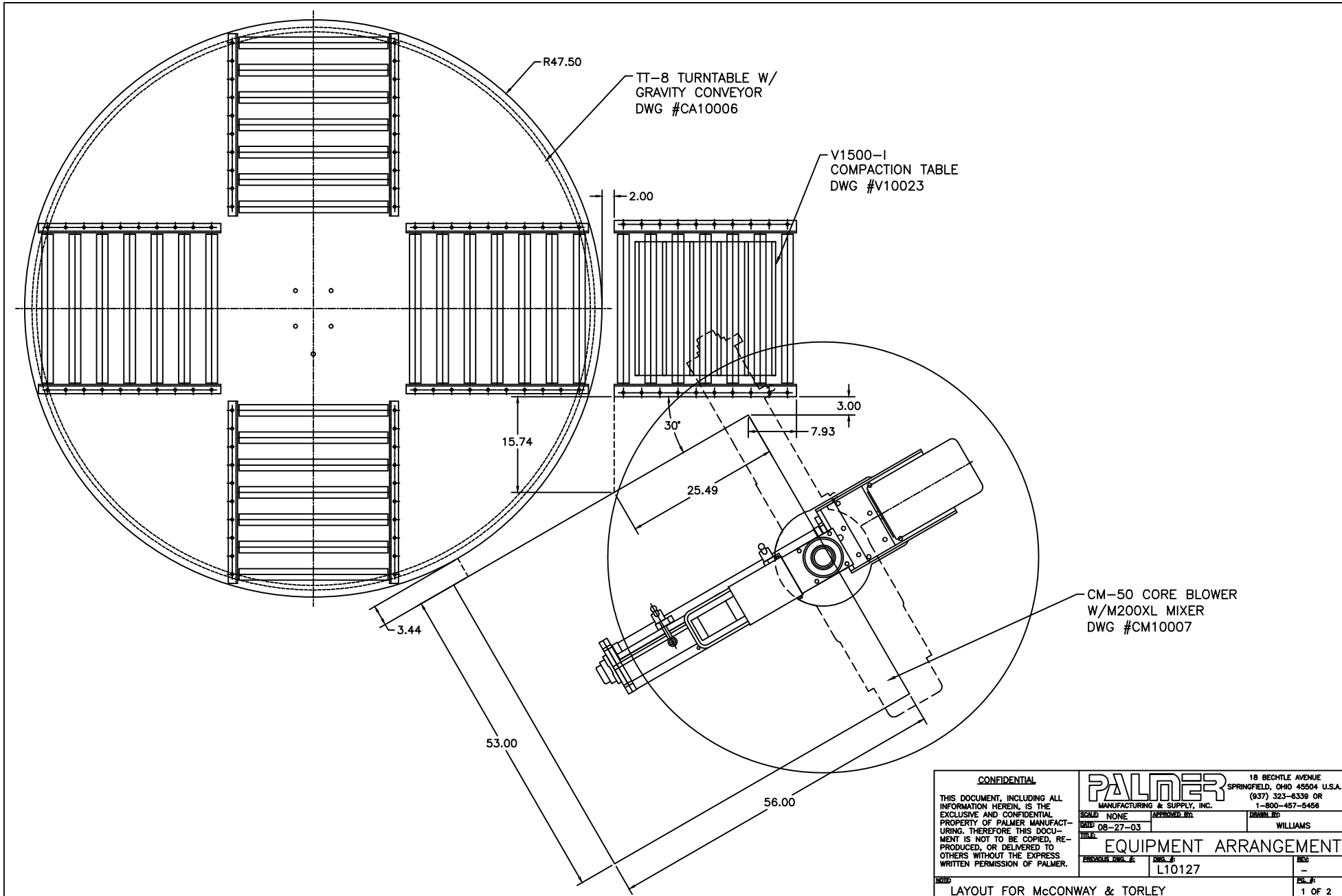
OPERATOR
STATION

4'-5"

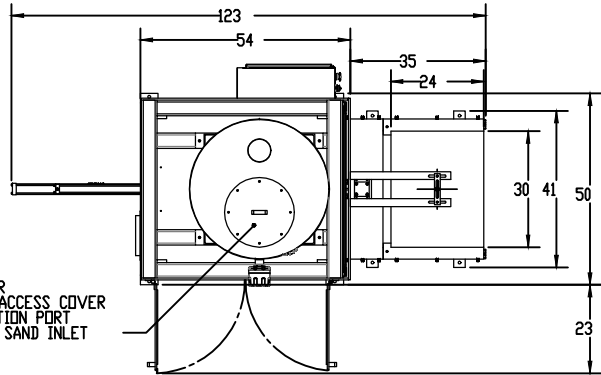
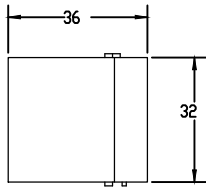
4'-5"

7'-2"

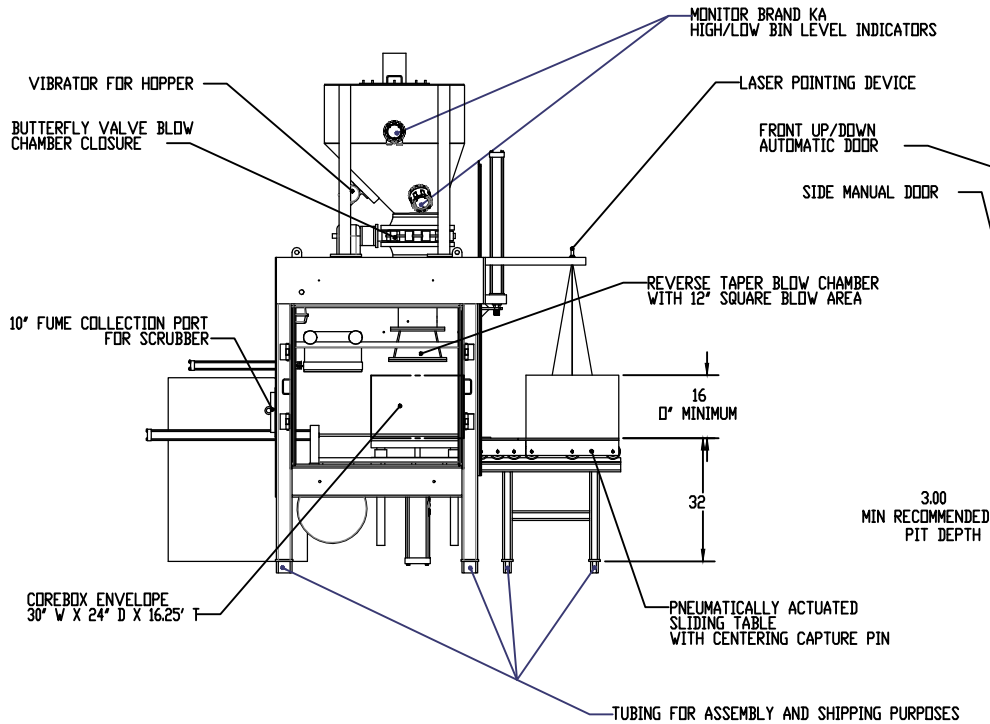
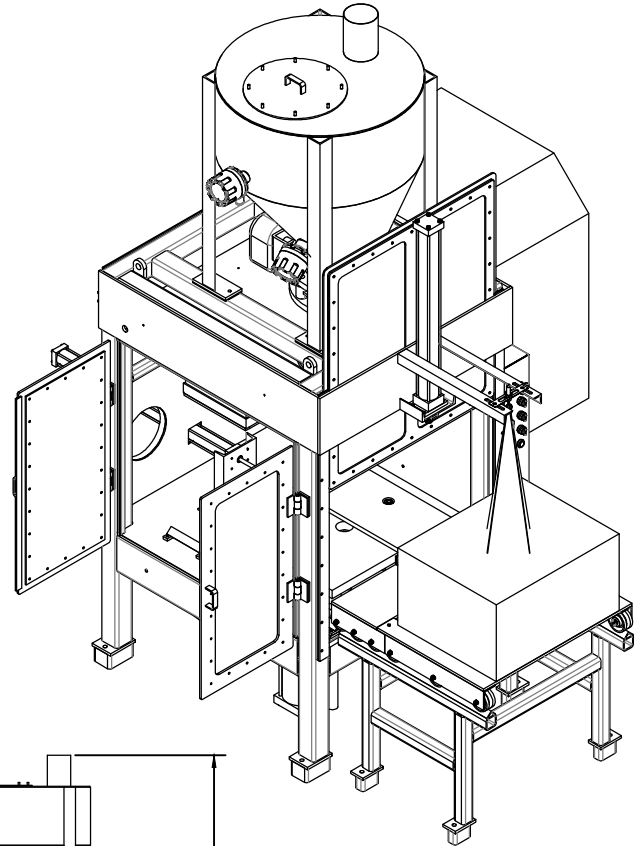
CONFIDENTIAL		PALMER		18 BECHTLE AVENUE SPRINGFIELD, OHIO 45504 U.S.A. (937) 323-6339 OR 1-800-457-5456	
THIS DOCUMENT, INCLUDING ALL INFORMATION HEREIN, IS THE EXCLUSIVE AND CONFIDENTIAL PROPERTY OF PALMER MANUFACTURING. THEREFORE THIS DOCUMENT IS NOT TO BE COPIED, REPRODUCED, OR DELIVERED TO OTHERS WITHOUT THE EXPRESS WRITTEN PERMISSION OF PALMER.		MANUFACTURING & SUPPLY, INC.		SCALE: NONE	APPROVED BY:
		DATE: 05-29-03	DRAWN BY: WILLIAMS		
		TITLE: PRELIMINARY LAYOUT			
		PREVIOUS DWG. #: N/A	DWG. #: L10125	REV: -	PG. #: 1 OF 1
NOTE: McCONWAY & TORLEY - KUTZTOWN					



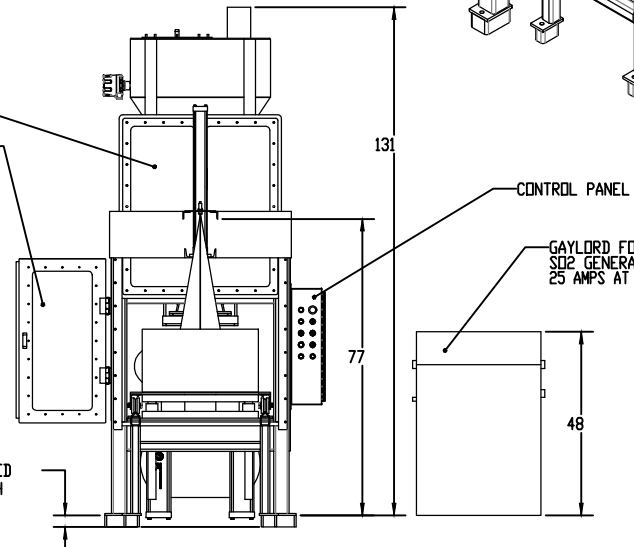
CONFIDENTIAL		PALMER		18 BECHTLE AVENUE SPRINGFIELD, OHIO 45504 U.S.A. (937) 323-6339 OR 1-800-457-5456
THIS DOCUMENT, INCLUDING ALL INFORMATION HEREIN, IS THE EXCLUSIVE AND CONFIDENTIAL PROPERTY OF PALMER MANUFACTURING. THEREFORE THIS DOCUMENT IS NOT TO BE COPIED, REPRODUCED, OR DELIVERED TO OTHERS WITHOUT THE EXPRESS WRITTEN PERMISSION OF PALMER.		SCALE: NONE	APPROVED BY:	DRAWN BY: WILLIAMS
		DATE: 08-27-03	TITLE: EQUIPMENT ARRANGEMENT	
		PREVIOUS DWG. #: L10127	REV: -	
NOTE: LAYOUT FOR McCONWAY & TORLEY				ES. #: 1 OF 2



1000 POUND HOPPER
WITH REMOVABLE ACCESS COVER
AND DUST COLLECTION PORT
CUSTOMER TO CUT SAND INLET

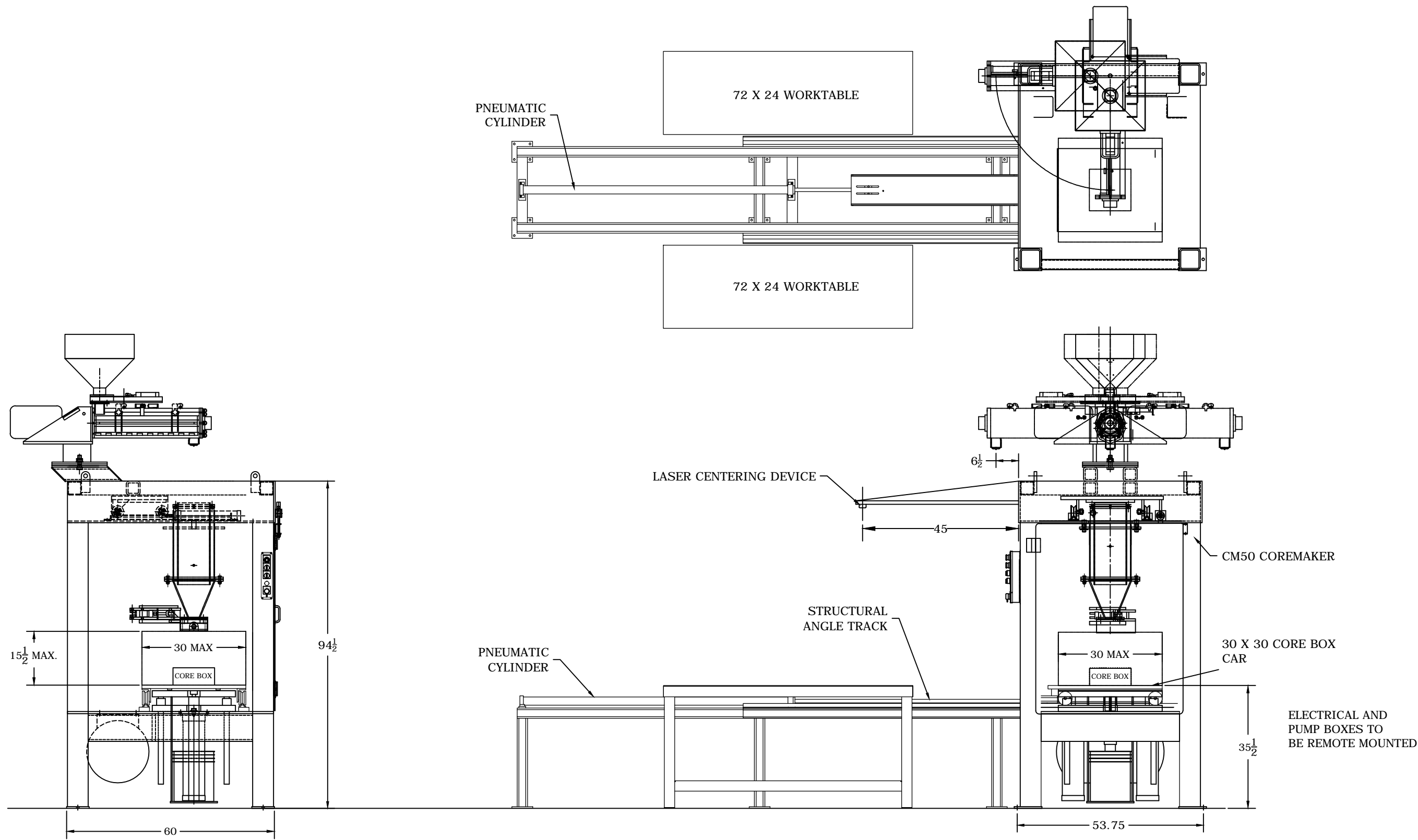


3.00
MIN RECOMMENDED
PIT DEPTH



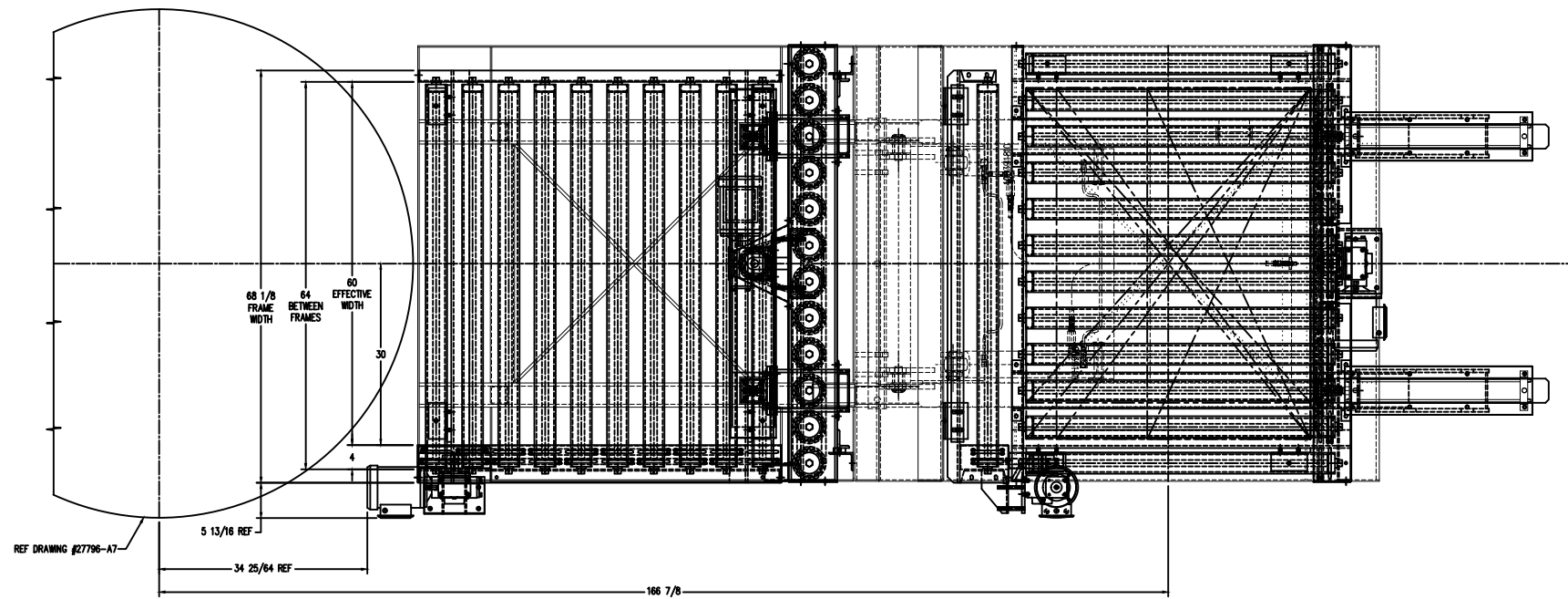
UNLESS OTHERWISE SPECIFIED:		NAME	DATE	TITLE:
DIMENSIONS ARE IN INCHES	DRAWN	RETENDUR2-7-21013		
TOLERANCES:	CHECKED			
FRACTIONAL ±	ENG APPR.			
ANGULAR: MACH ± BEND ±	MFG APPR.			
TWO PLACE DECIMAL ±	QA			SIZE DWG. NO.
THREE PLACE DECIMAL ±	COMMENTS:			C
INTERPRET GEOMETRIC TOLERANCING PER MATERIAL				REV
FINISH				C
APPLICATION	DO NOT SCALE DRAWING			SCALE: 1/24 WEIGHT: - SHEET 1 OF 1

PROPRIETARY AND CONFIDENTIAL
THE INFORMATION CONTAINED IN THIS
DRAWING IS THE SOLE PROPERTY OF
CONSERT COMPANY NAME HERE. ANY
REPRODUCTION IN PART OR AS A WHOLE
WITHOUT THE WRITTEN PERMISSION OF
CONSERT COMPANY NAME HERE IS
PROHIBITED.



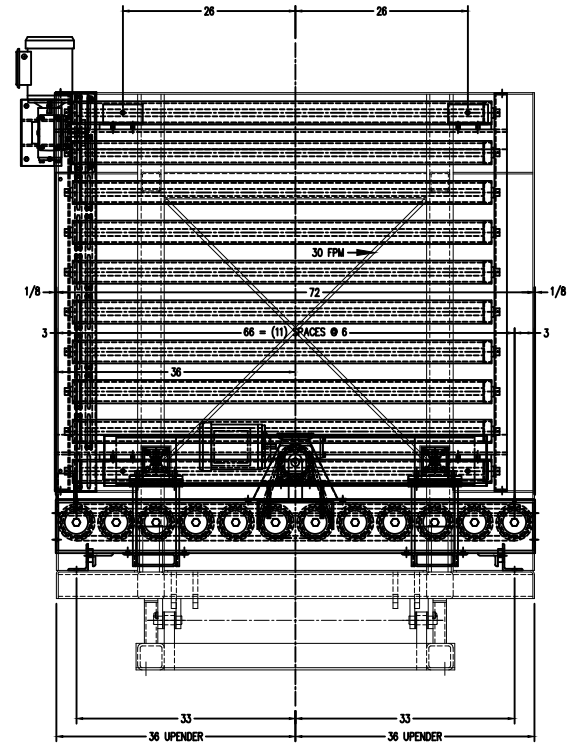
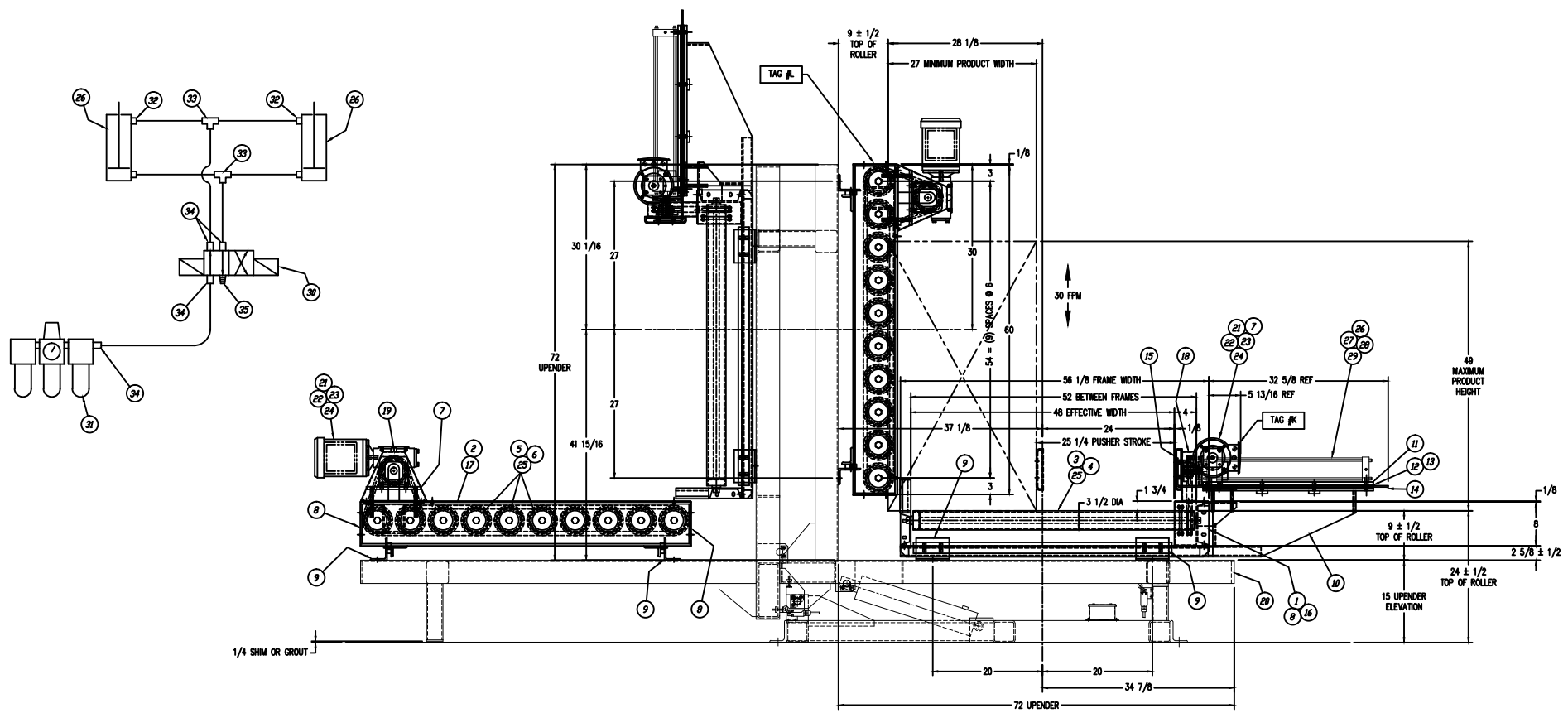
CUSTOMER APPROVAL
 SIGNATURE: _____
 DATE: _____

CONFIDENTIAL		18 BECHTLE AVENUE SPRINGFIELD, OHIO 45504 U.S.A. (937) 323-6339 OR 1-800-457-5456	
THIS DOCUMENT, INCLUDING ALL INFORMATION HEREIN, IS THE EXCLUSIVE AND CONFIDENTIAL PROPERTY OF PALMER MANUFACTURING. THEREFORE THIS DOCUMENT IS NOT TO BE COPIED, REPRODUCED, OR DELIVERED TO OTHERS WITHOUT THE EXPRESS WRITTEN PERMISSION OF PALMER.		PALMER MANUFACTURING & SUPPLY, INC.	
SCALE: NONE	APPROVED BY: _____	DRAWN BY: JMW	
DATE: 2/18/09			
TITLE: CM-50 CORE MAKER			
PREVIOUS DWG. #: N/A	DWG. #: CM10152	REV: E	
NOTE: CORE BOX CAR SYSTEM (CYLINDER EXTENDED)			PG. #: 1 OF 2



- NOTES:
- (1) REOD
 - FINISH BLUE WITH YELLOW GUARDS
 - 3 1/2 DIA ROLLERS WITH 1 1/16 HEX AXLE, PIN RETAINED
 - 30FPM FIXED SPEED
 - RELIANCE 1HP MOTOR (230/460/3/60)
 - WINSMITH RIGHT ANGLE WORM GEAR REDUCER
 - ROBO DRIVE CHAIN
- UPENDER:
- 6000LB LOAD CAPACITY
 - 3.2HP MOTOR (460/3/60)
 - CONTROL VOLTAGE FOR LOWERING (115/1/60)
 - APPROX TILT TIME UP: 32 SECONDS. APPROX TILT TIME DOWN: 24 SECONDS.
 - INTERNAL HYDRAULIC POWER UNIT
- 90° PUSHER:
- 4 SOLE INFA INTERCHANGEABLE CYLINDER
 - 60-80 PSI REOD
 - MAC 2-POSITION, 4-WAY, DOUBLE SOLENOID VALVE (115/1/60)
 - PRE-PIPED TO FILTER/REGULATOR/LUBRICATOR
 - INTERNAL HYDRAULIC POWER UNIT

BILL OF MATERIALS			
PART NUMBER	DM10031	QUANTITY	1
ITEM	PART No.	QTY	DESCRIPTION
1	-	1	FRAME - UPENDER INFEED
2	-	1	FRAME - UPENDER DISCHARGE
3	-	12	ROLLER - 52
4	-	12	HEX AXLE - 52
5	-	11	ROLLER - 64
6	-	11	HEX AXLE - 64
7	-	2	SIDE DRIVE MOUNTING
8	-	4	END COVER
9	-	8	SUPPORT FOOT
10	-	2	PUSHER MOUNTING BRACKET
11	-	2	CYL. MOUNTING PLATE
12	-	4	PUSHER WEARSTRIP
13	-	4	PUSHER SIDE GUIDE BLOCK
14	-	2	PUSHER GUIDE BAR
15	-	1	PUSHER FACE WELDMENT
16	-	1	SCALLOPED GUARD - 72T
17	-	1	SCALLOPED GUARD - GATE
18	-	1	DRIVE GUARD
19	-	1	DRIVE GUARD - TE
20	-	1	UP-90 SOUTHWORTH UP-ENDER
21	-	2	9240MMAL56C WINSMITH REDUCER
22	-	2	PS6H441 RELIANCE MOTOR, 1 HP
23	-	2	68B12 X 1-1/4 6VX25SD
24	-	2	RC60 X 40-1/2*LG (5HP INCLD NSTR)
25	-	19	RC60 X 27*LG (5HP INCLD NSTR)
26	-	2	40977IN-425225 NORGREN CYL
27	-	2	49013 NORGREN ROD EYE
28	-	2	49251 NORGREN CLEVIS BRACKET
29	-	2	49209 NORGREN CLEVIS PIN
30	-	1	722C-12-PI-50LB MAC VALVE W/PLUG 24VDC
31	-	1	70686 FRLAG NORGREN HEAVY-BUTY
32	-	4	3109-60-22 3/8T-1/2P ELBOW
33	-	2	3104-60-08 3/8T TEE
34	-	4	3175-60-14 3/8T-1/4P STRAIGHT
35	-	1	ASP-2 MUFFLER - 1/4"NPT



CONFIDENTIAL

THIS DOCUMENT, INCLUDING ALL INFORMATION HEREIN, IS THE EXCLUSIVE AND CONFIDENTIAL PROPERTY OF PALMER MANUFACTURING. THEREFORE THIS DOCUMENT IS NOT TO BE COPIED, REPRODUCED, OR DELIVERED TO OTHERS WITHOUT THE EXPRESS WRITTEN PERMISSION OF PALMER.

PALMER
MANUFACTURING & SUPPLY, INC.

SCALE: NONE APPROVED BY: _____

DATE: 9-19-06 DRAWN BY: BOWSMAN

TITLE: UPENDER K, L

PREVIOUS DWG. #: N/A DWG. #: DM10031

18 BECHTLE AVENUE
SPRINGFIELD, OHIO 45504 U.S.A.
(937) 323-6339 OR
1-800-457-5456

REV: 4

PG. #: 1